

Solar Monitor

Installation manual SM2-DI v. 2.0

Package content

Power control module

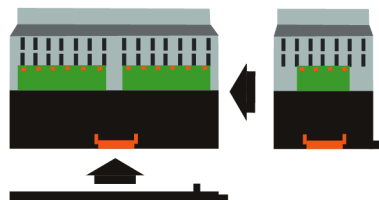
Solar Monitor SM2-DI
Installation manual

HBUS

- the part for connection to the SM2-MU

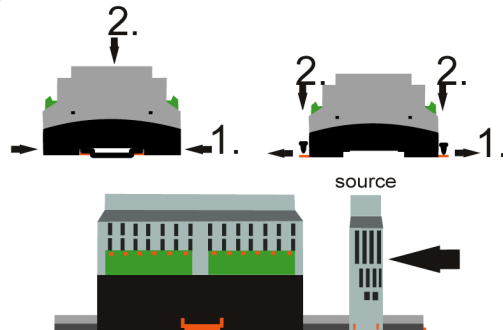
1. Step Connection to SM2-MU

Connect HBUS to the SM2-MU. Connect the SM2-DI module with SM2-MU according to this picture.



2. Step Mechanical fastening

Solar Monitor incl. connected modules and source can be fixed to the wall or DIN rail according to these pictures.



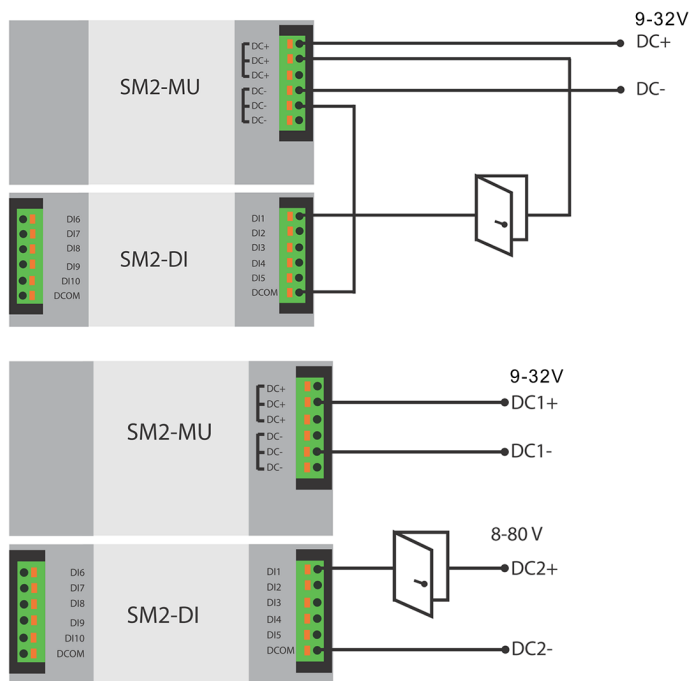
3. Step Digital inputs connection

The SM2-DI module has 10 digital inputs. We connect digital inputs DI similarly as SM2-MU inputs. Movement sensor, lightning arrester, optical barrier, door sensor and other types of devices which signalize their status by contact output can be connected easily.

Two types of connection are possible.

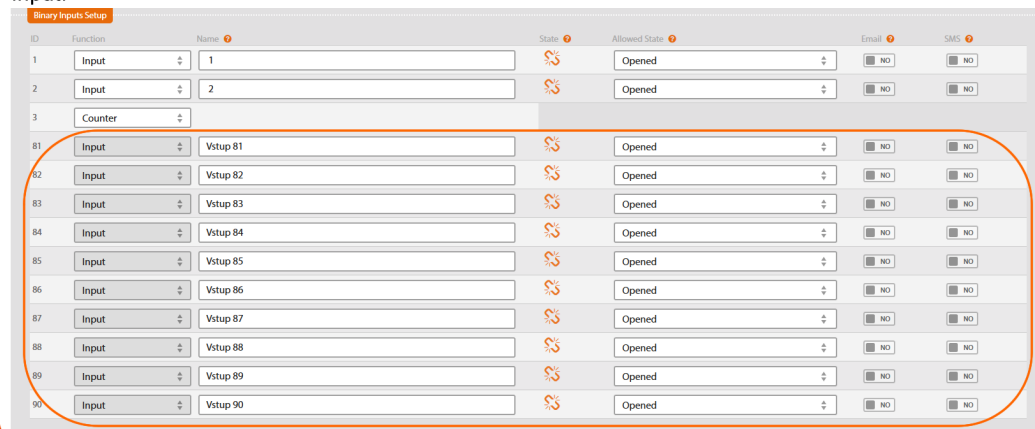
1. For using inputs it is necessary to connect DC- terminal on the SM2-MU with corresponding DCOM terminal on the SM2-DI module. One DCOM terminal belongs to DI1-DI5 inputs and second one to DI6-DI10 inputs. After switching on it is necessary to bring DC+ signal from the SM2-MU unit to the proper terminal of the SM2-DI module.

2. The SM2-DI module inputs use external power source (see following picture). It is necessary to have brought voltage in range 8-80 V.



4. Step Starting up and configuration

If modules are connected and power source is connected to the Solar Monitor, green LED diode Status must light. In the opposite case check the connection of module with the SM2-MU. Open the menu "Settings / Inputs & Counters" in your browser. Choose here the allowed value of corresponding connected input.



It is possible to choose if you want to receive message (email, SMS) when the allowed value changes. For SMS sending it is necessary to have the SM2-GSM module connected.