

SM2-MU Specification

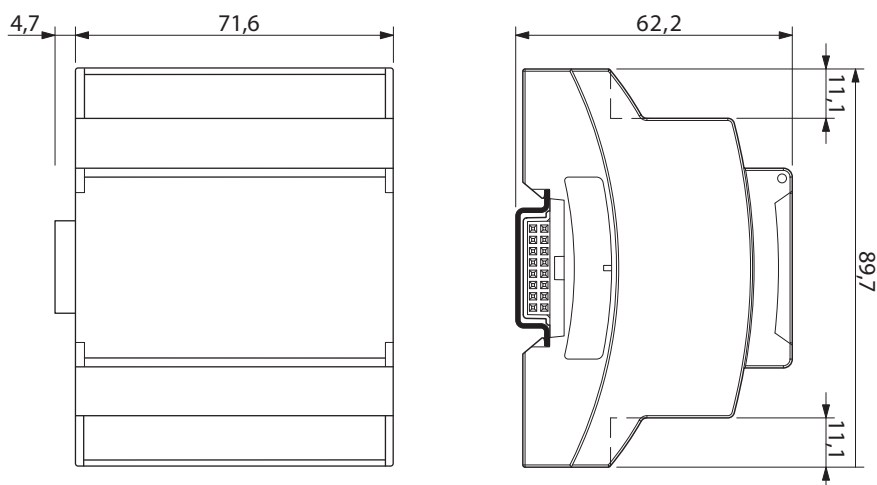
Rev. 1.0.2 2016/09/30

Max. number of devices ¹	
SM2-MU Basic and SM2-MU Start	1 device ¹
SM2-MU 60	6 devices ¹
SM2-MU 300	30 devices ¹
SM2-MU 1000	100 devices ¹
Supported devices ¹	
Communication	Ethernet (TCP) and up to 3 serial ports
Sensors	
Interface	Dallas 1-wire bus
Max. count	10 sensors
Max. distance	100 m Recommended max. cable length for daisy-chained sensors with minimal trunk segments.
Ethernet interface (LAN)	
Interface	RJ45 (100BASE-T) - 100Mbit/s, compatible with networks 10/100/1000 Mbit/s, auto MDIX
Protocols	HTTP, SOAP, DNS, UDP Setup, Telnet, ARP, ICMP, SMTP, SNMP, Modbus
RS485 / RS422 / RS232	
Interfaces	2x RS485 or 1x RS422 ² piggy-back hardware options ³ 2x RS485 or 1x RS422 opto-isolated ² 1x RS485 + 1x RS232 1x RS485 + 1x RS232 opto-isolated SM2-BE extension module 1x RS232 + 1x RS485 surge protected ⁴
Speed	300 .. 115.200 bps (software configurable) ^{2,5}
Termination	Yes, both for half and full duplex Configurable with jumpers.

Inputs	
3x digital inputs (DI)	software configurable between dry contact or 50 pulse meter inputs (e.g. from electrometer)
Max. distance	30 m (depends on cable)
Outputs	
1x relay	32 V, 3 A, protected with power fuse
Electrical parameters	
Power supply	9-35 V DC, typ. 1.2 W @ 12V
DI1, DI2, DI3	8-80 V, opto-electronically isolated
1-Wire	Interface provides 5 V power supply, max. 350 mA, protected with 500 mA power fuse.
Mechanical parameters	
Dimensions	71.6 x 89.7 x 62.2 mm
Mounting	DIN rail
Screw terminals	0.5 mm ² - 1.5 mm ² cable cores
Operating temperature	0 .. +70 °C
LED diodes	Status, RS485, Sensors
Extension options	
Interface	HBUS (DIN rail, bottom pluggable, no external wires needed)
Extension modules	SM2-PC, SM2-AD, SM2-DI, SM2-GSM, SM2-BE

1. A device represents an inverter, stringbox, MPP tracker, battery monitor, meter or any other device which can be detected on any serial bus or via ethernet communication.
2. Can be configured by software (web UI, XML).
3. Piggy-back functionality replaces the "2x RS485 or 1x RS422" interface.
4. SM2-BE is mutually exclusive to the SM2-GSM usage. 2x SM2-BE modules can be also used to extend the HBUS connection between SM2 modules.
5. Communication speeds are available according to selected device communication protocols.

Mechanical Dimensions



www.solarmonitor.cz

Solar Monitor s.r.o., Žižkova 562, 51101 Turnov, Czech Republic
tel. : +420 481 313 661, email: info@solarmonitor.cz

