



# DC and AC Electric Power Measurement



Usually a building or an industrial area has a main electricity meter in a cabinet. In most cases this meter is owned by a distribution company. If you want to have an **energy overview of individual consumption points**, you need to provide a **secondary measurement** at these points.

If you install a quality electricity meter at each place, which can moreover communicate with a device that collects measurement data, you will save both the time it would take you to visit the place for manual reading and you will also have an overview of all parameters.

You have **online access to all data on our Portal** and you can use them to calculate costs for individual collection points.

Data are continuously collected, which will offer you an immediate consumption overview and you will also be able to compare consumption of different time periods.

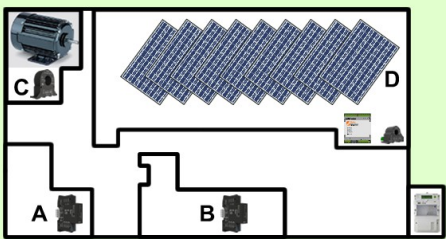
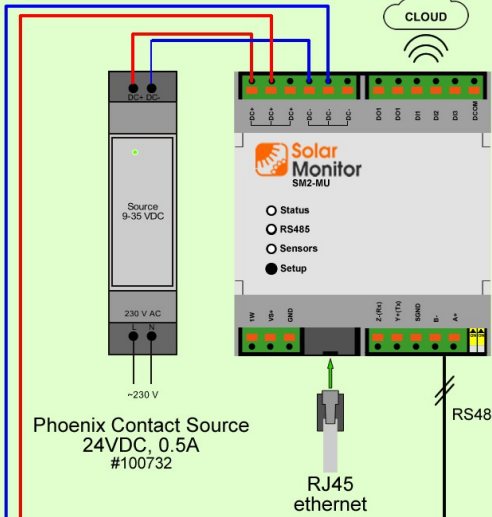
This makes it much easier to detect whether, for some reason, there has been a deviation from normal consumption values. The deviation can be caused e.g. by a **machine running over a weekend**, although it should be switched off. Or a fault in an appliance that results in **higher energy consumption**.

Price list	USD (w/o tax)
<b>Three Phase Electricity Meters</b>	
<b>QE-POWER-T-STD (#102016)</b> 3 phase AC electricity meter measurement of instantaneous values	\$159.26
<b>QE-POWER-T-PLUS (#102017)</b> 3 phase AC electricity meter STD + calculation of min / max / avg values for an adjustable time	\$188.91
<b>QE-POWER-T-PRO (#102018)</b> 3 phase AC electricity analyzer PLUS + U, I values up to 63rd harmonic + 128 "oscilloscope" samples	\$258.17
<b>Single Phase Electricity Meters</b>	
<b>QI-POWER-485</b> single phase measurement up to 50A / 800V AC or 50A / 1000V DC	\$85.09
<b>QI-POWER-485-LV</b> single phase current measurement up to 50A / 80V AC or 50A / 100V DC (more sensitive)	\$85.09
<b>QI-POWER-485-300</b> single phase current measurement up to 300A AC / 400A DC and voltage up to 800V AC / 1000V DC	\$104.87
<b>QI-POWER-485-300-LV</b> single phase current measurement up to 300A AC / 400A DC and voltage up to 80V AC / 100V DC	\$104.87
<b>Monitoring Units (Dataloggers)</b>	
<b>SM2-MU-60 (#100420)</b> monitoring unit for max. 6 field devices	\$473.91
<b>SM2-MU-300 (#100430)</b> monitoring unit for max. 30 field devices	\$609.78
<b>SM2-MU-1000 (#100440)</b> monitoring unit for max. 100 field devices	\$759.73

SM2-MU-300  
#100430

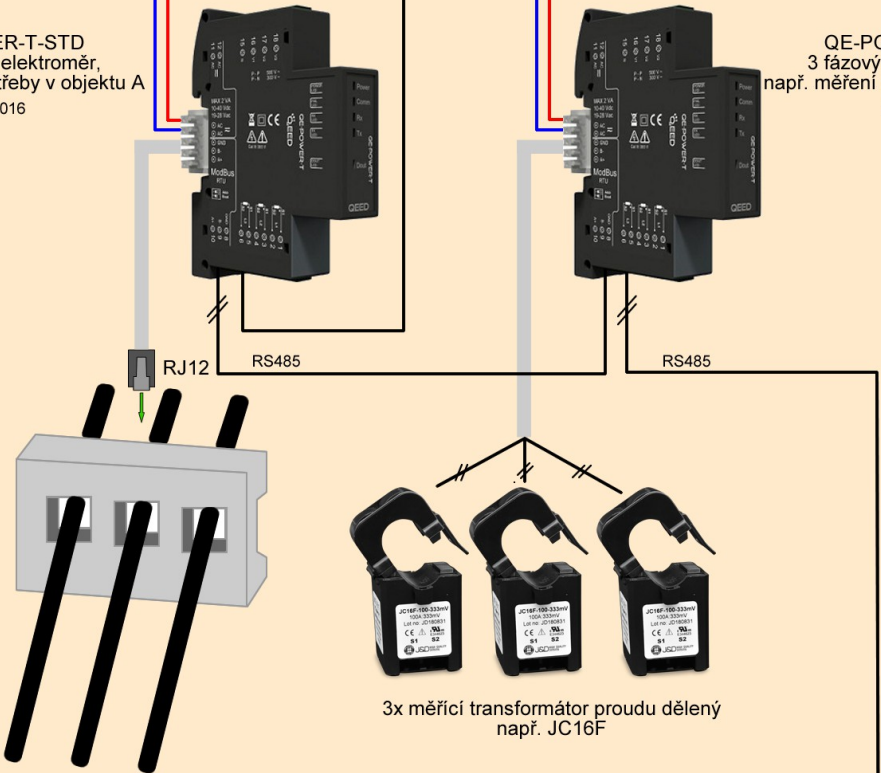


- Sběr dat
- Měření AC proudu
- Měření DC proudu



QE-POWER-T-STD  
3 fázový AC elektroměr,  
např. měření spotřeby v objektu A  
#102016

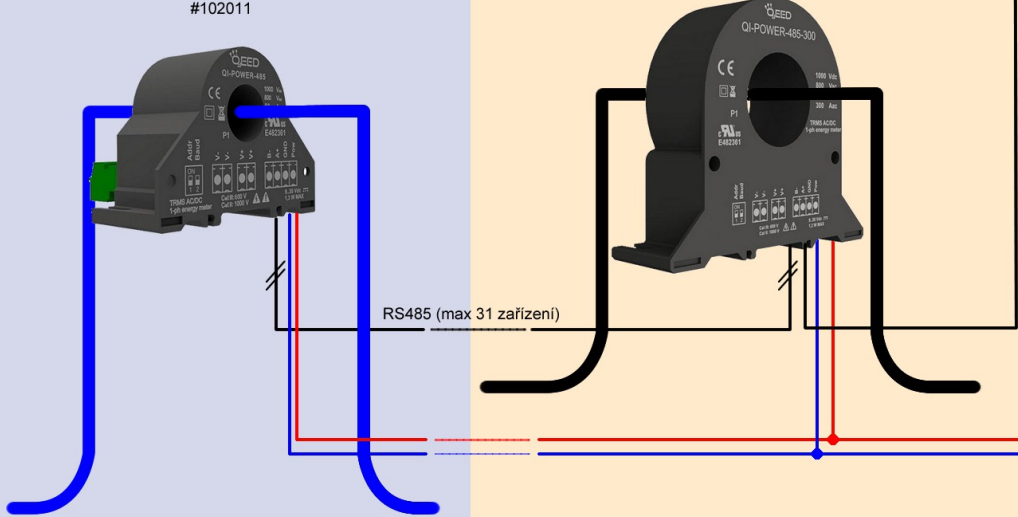
QE-POWER-T-STD  
3 fázový AC elektroměr,  
např. měření spotřeby v objektu B  
#102016



trojnásobný měřicí transformátor proudu průvlekový  
např. J3CT090

QI-POWER-485  
1 fázový DC elektroměr, např. měření výroby FVE  
v objektu D  
#102011

QI-POWER-485-300  
1 fázový AC elektroměr, např. měření spotřeby čerpadla  
v objektu C  
#102013

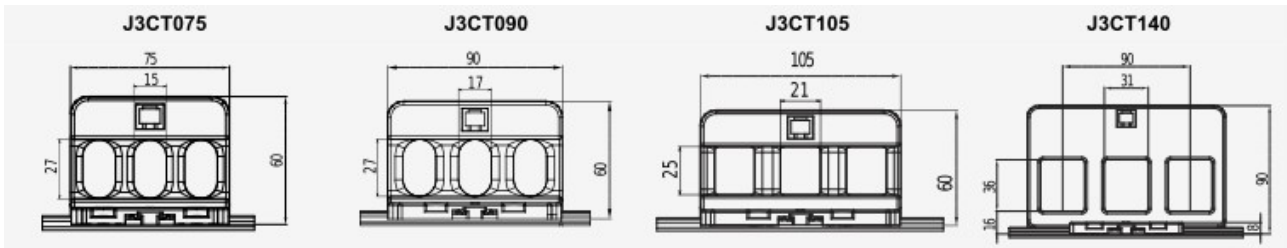


Pozn.: měření napětí není zakresleno

## Accessories

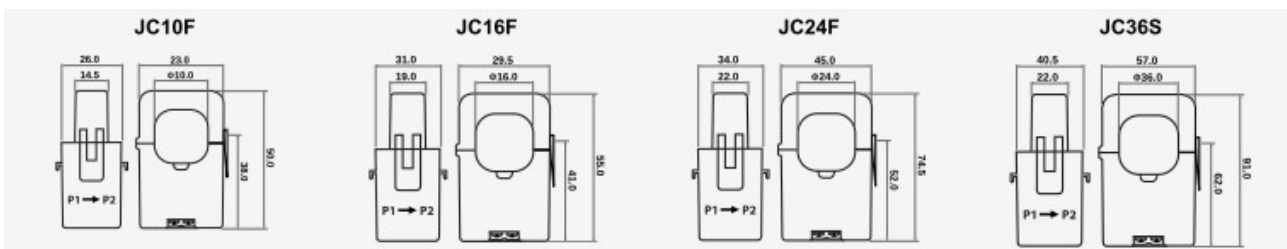
### Measuring current transformers – Feedthrough, 3 Phases (RJ12 connection, DIN rail or panel mounting)

An advantage of this solution is a DIN rail space optimization => this transformer takes up less space than 3 separate transformers placed next to each other



Feedthrough Current Transformers	1-24 pcs	25+ pcs
J3CT075 – 030 / 333mV	\$47.61	\$44.17
J3CT075 – 060 / 333mV	\$47.61	\$44.17
J3CT075 – 100 / 333mV	\$47.61	\$44.17
J3CT090 – 125 / 333mV	\$55.74	\$50.65
J3CT090 – 160 / 333mV	\$55.74	\$50.65
J3CT105 – 160 / 333mV	\$60.70	\$55.26
J3CT105 – 250 / 333mV	\$60.70	\$55.26
J3CT140 – 400 / 333mV	\$65.30	\$59.57
J3CT140 – 630 / 333mV	\$65.30	\$59.57

### Measuring Current Transformers – Split Core, Single Phase (terminal connection, cable mounting)



Split Core Current Transformers	1-49 pcs	50+ pcs
JC10F - 333 5A	\$13.39	\$11.78
JC10F - 333 20A	\$13.39	\$11.78
JC10F - 333 30A	\$13.39	\$11.78
JC10F - 333 50A	\$13.39	\$11.78
JC10F - 333 75A	\$13.39	\$11.78
JC16F - 333 100A	\$20.09	\$17.70
JC24F - 333 200A	\$26.57	\$23.39
JC36S - 333 300A	\$44.74	\$39.35
JC36S - 333 600A	\$44.74	\$39.35